

# GP Batteries

## Data Sheet

### Rechargeable Nickel Metal Hydride Battery

Model: GP220CHC

#### Revision History

Revision	Date	Initiator	Change Description
01	2014-10-22	YS Liu	1.New form

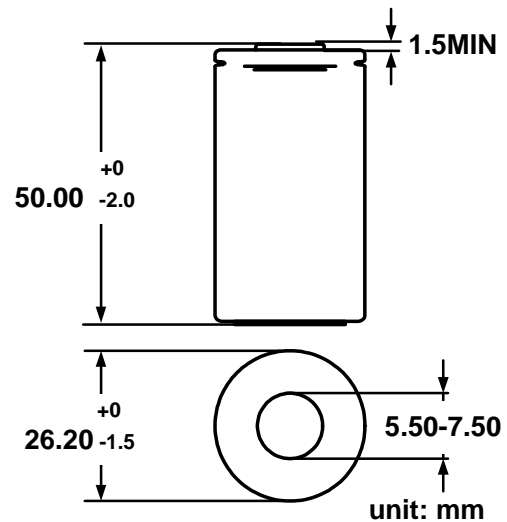
Prepared by	Checked by	Approver
RD Engineer	RD Manager	SM
YS Liu	Jackie Yu	Vivian Fong
Date: 2014-10-22	Date: 2014-10-22	Date: 2014-10-22

#### GP International Limited

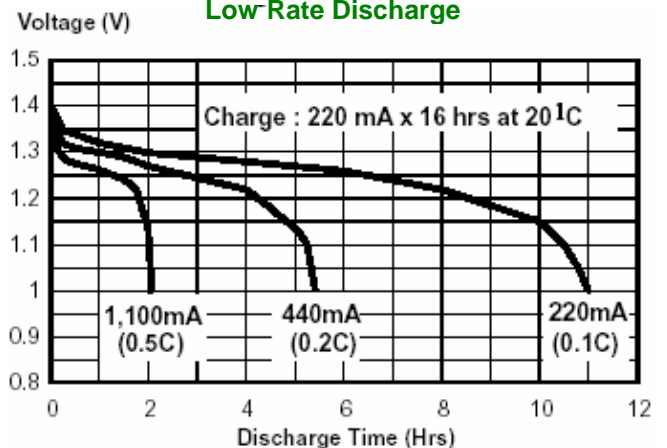
Gold Peak Building, 8/F, 30 Kwai Wing Road,  
Kwai Chung, New Territories, Hong Kong.  
Tel: (852) 2484 3333 Fax: (852) 24805912  
Email: [gpii@goldpeak.com](mailto:gpii@goldpeak.com)  
Website: <http://www.gpbatteries.com>

Model No.: **GP220CHC**

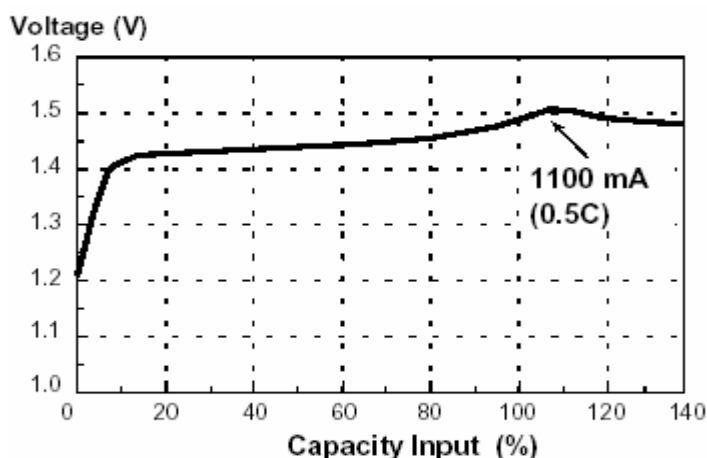
Type	: Rechargeable Nickel Metal Hydride Cylindrical Cell
Nominal Dimension (with Sleeve)	: $\Phi = 26.2\text{mm}$ H = 50.0mm
Applications	: Recommended discharge current 220mA to 6600mA
Nominal Voltage	: 1.2V
Capacity	: Nominal: 2200mAh Minimum: 2200mAh Typical: 2200mAh When discharged at 440mA to 1.0V at 20°C
Charging Condition	: 220mA for 16hrs at 20°C
Charge Retention	: 50% of nominal capacity after cell storage at 20°C for 12months When discharged at 0.44A to 1.0V at 20°C
Fast Charge	: 1100mA (0.5C) charge termination control recommended control parameters: - $\Delta V$ : 0-5mV DT/dt : 0.8°C/min (0.5C) TCO : 45 - 50°C Timer : 105% nominal input (Secondary)
Service Life	: >500 cycles (IEC standard) Up to 1000 cycles (not less than 60% of nominal at 0.1C charge / 0.2C discharge)
Continuous Overcharge	: 220mA maximum current for 1 year. No conspicuous deformation and/or Leakage
Weight	: 61.0g
Internal Resistance	: Average 30m $\Omega$ upon fully charged (MAX. 40m $\Omega$ ) at 1000Hz
Max. Charging Voltage	: 1.5V at 220mA charging
Ambient Temperature Range	: Standard Charge : 0 to 40°C Fast Charging : 10 to 40°C Discharge : -20 to 50°C Storage : -20 to 35°C Storage(1 week) : -20 to 60°C



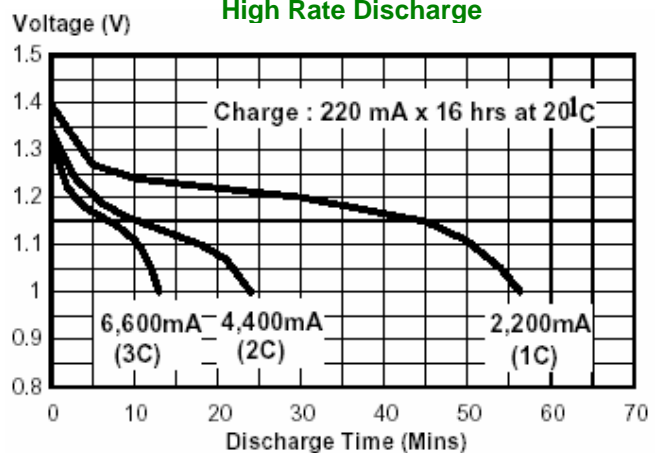
### Low Rate Discharge



### Fast Charge (Charge Control required)



### High Rate Discharge



The information (subject to change without prior notice) contained in this document is for reference only and should not be used as a basis for product guarantee or warranty. For applications other than those described here, please consult your nearest GP Sales and Marketing Office or Distributors.